

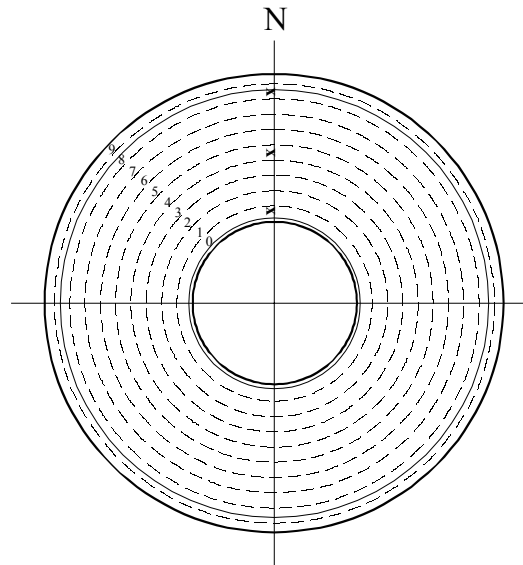
Appendix 8

Schematic drawings of all special blocks used in the LOT A2 parcel, and a list over measuring equipment and their positions

A2 02

Sensors:

A2020T
A2024T
A2028T

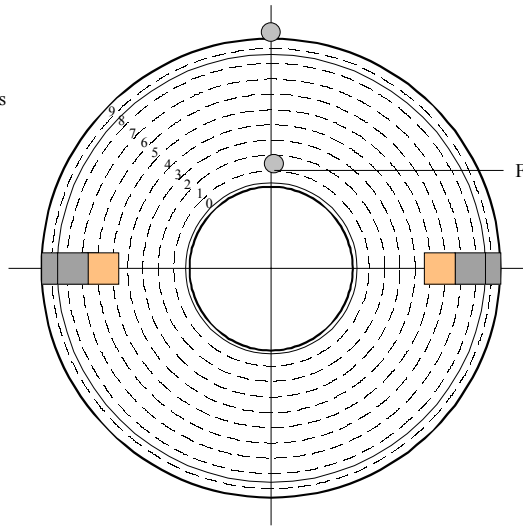


- x Thermocouple (endpoint 35 mm down in bentonite)
- Total Pressure (countersunk into the block)
- △ Water Pressure (countersunk into the block)
- Relative Humidity (countersunk into the block)

A2 05

Sensors:

Tracertest by filter and plugs



- x Thermocouple (endpoint 35 mm down in bentonite)
- Total Pressure (countersunk into the block)
- △ Water Pressure (countersunk into the block)
- Relative Humidity (countersunk into the block)

Filters for tracer and water saturation

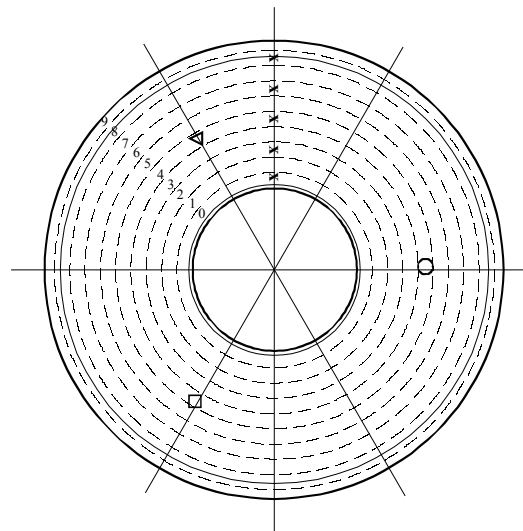
Tracer doped plugs ^{60}Co

A2 08

Sensors:

A2080T
A2082T
A2084T
A2086T
A2088T

A2084P
A2084W
A2084M

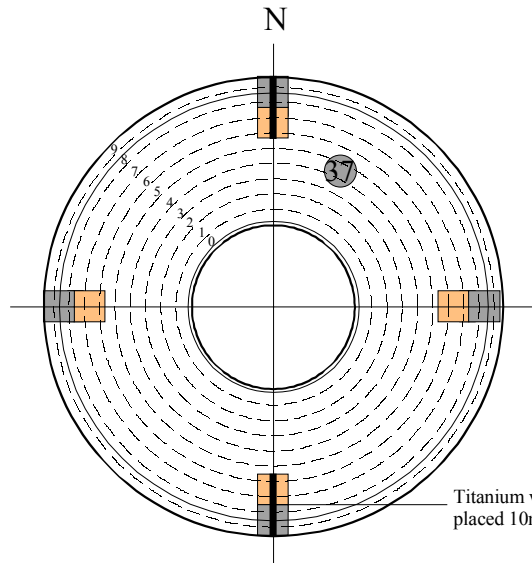


- x Thermocouple (endpoint 35 mm down in bentonite)
- Total Pressure (countersunk into the block)
- △ Water Pressure (countersunk into the block)
- Relative Humidity (countersunk into the block)

A2 10

Sensors:

Water sampling
10% CaCO₃



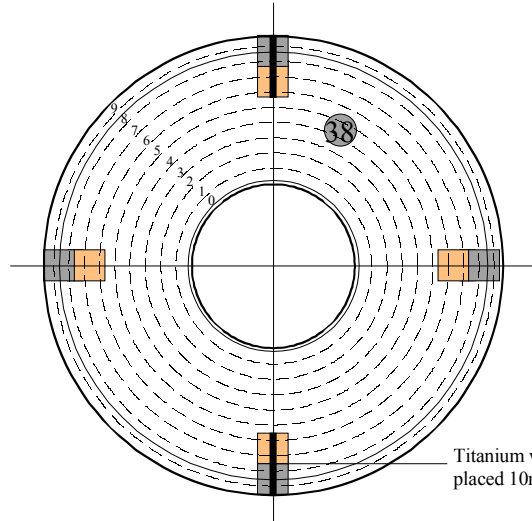
- x Thermocouple (endpoint 35 mm down in bentonite)
- Total Pressure (countersunk into the block)
- △ Water Pressure (countersunk into the block)
- Relative Humidity (countersunk into the block)

Titanium wire $\phi 4\text{mm}$, $L=40\text{mm}$
placed 10mm above the plugs

A2 12

Sensors:

Water sampling
10% CaSO₄



- x Thermocouple (endpoint 35 mm down in bentonite)
- Total Pressure (countersunk into the block)
- △ Water Pressure (countersunk into the block)
- Relative Humidity (countersunk into the block)

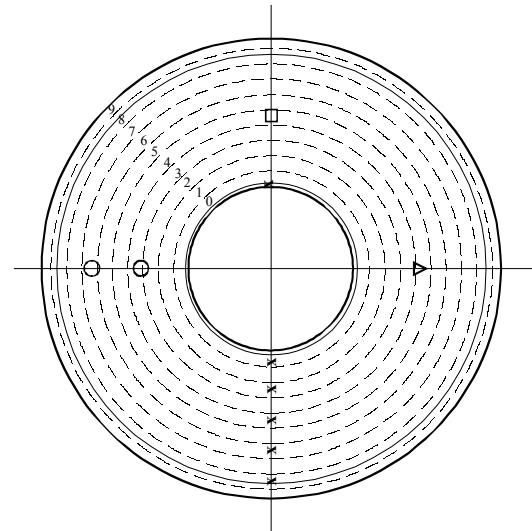
Titanium wire $\phi 4\text{mm}$, $L=40\text{mm}$
placed 10mm above the plugs

A2 14

Sensors:

A214TT
A2140T
A2142T
A2144T
A2146T
A2148T

A20144P
A2144W
A2142M
A2147M

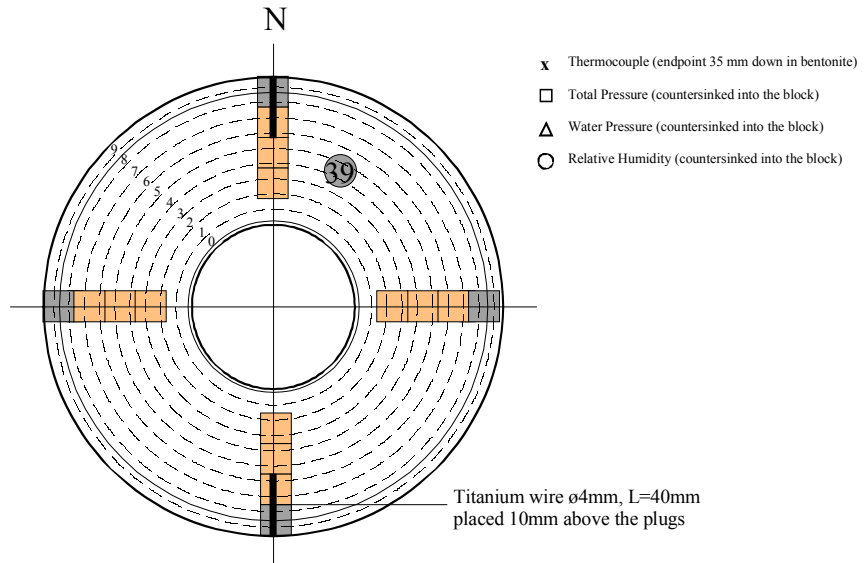


- x Thermocouple (endpoint 35 mm down in bentonite)
- Total Pressure (countersunk into the block)
- △ Water Pressure (countersunk into the block)
- Relative Humidity (countersunk into the block)

A2 16

Sensors:

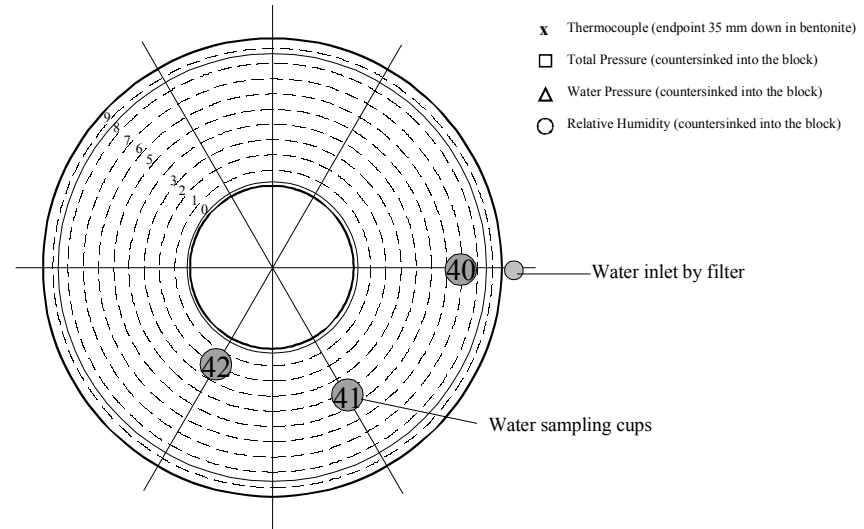
Water sampling
50% K-feldspar



A2 18

Sensors:

Water sampling

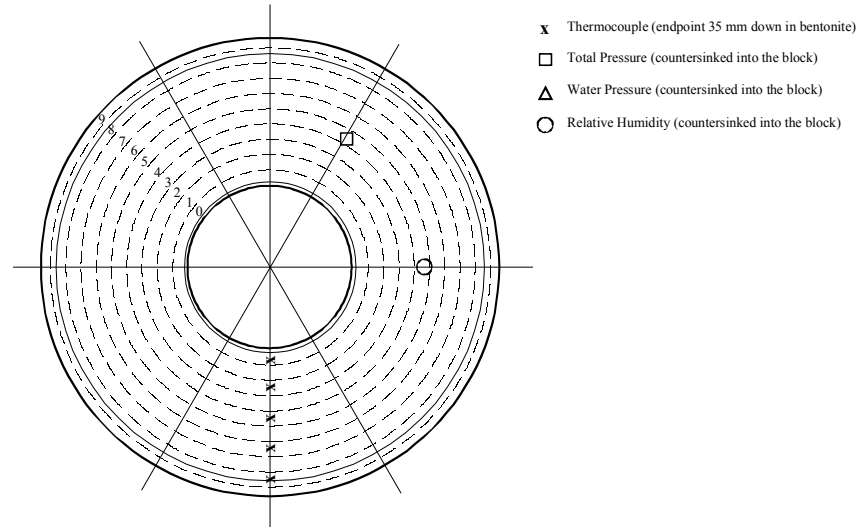


A2 20

Sensors:

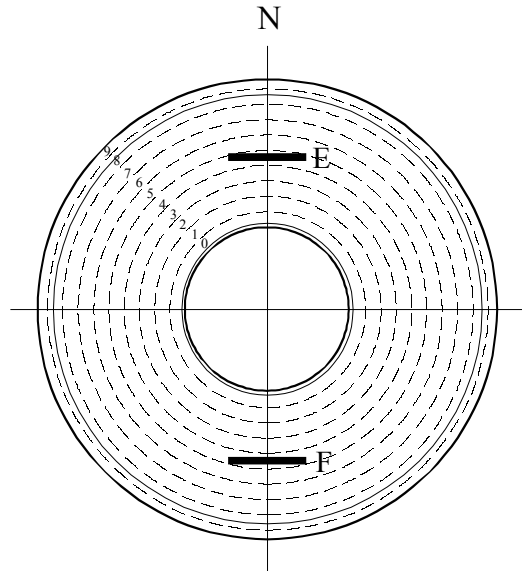
A2200T
A2202T
A2204T
A2206T
A2208T

A2204P
A2204W
A2204M



A2 22

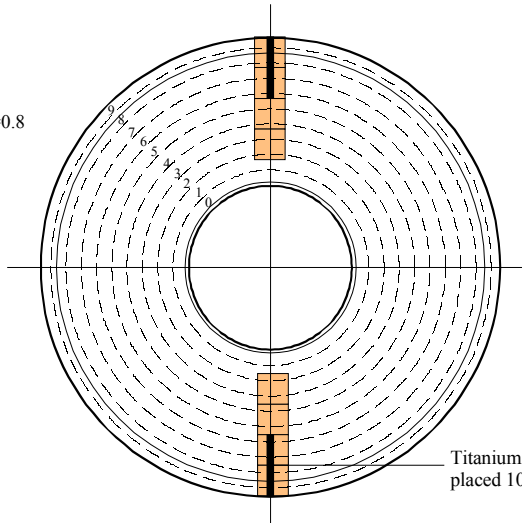
Sensors:
Cu plate



- x Thermocouple (endpoint 35 mm down in bentonite)
- Total Pressure (countersunk into the block)
- △ Water Pressure (countersunk into the block)
- Relative Humidity (countersunk into the block)

A2 24

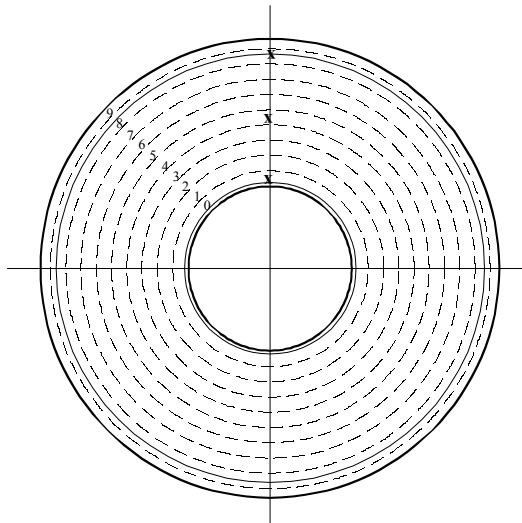
Sensors:
Cement Aalborg AWP w/c=0.8



- x Thermocouple (endpoint 35 mm down in bentonite)
- Total Pressure (countersunk into the block)
- △ Water Pressure (countersunk into the block)
- Relative Humidity (countersunk into the block)

A2 26

Sensors:
A2260T
A2264T
A2268T

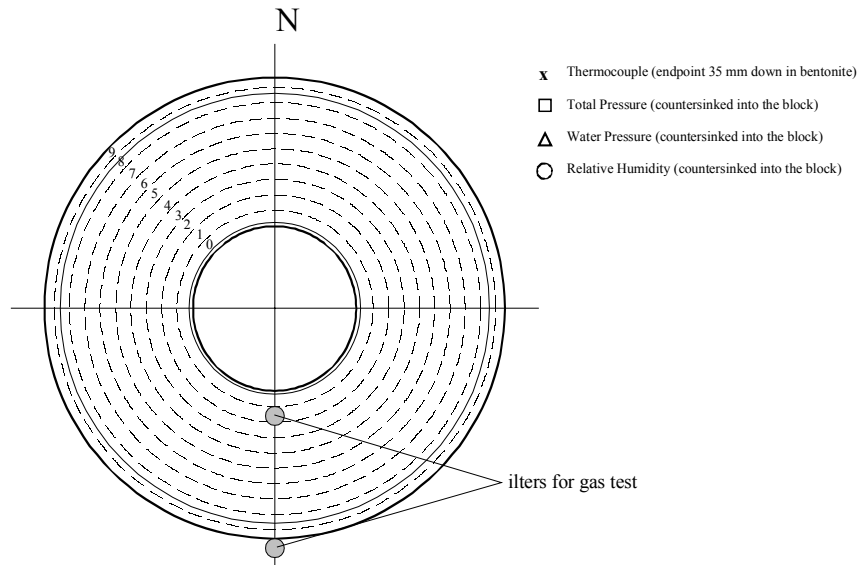


- x Thermocouple (endpoint 35 mm down in bentonite)
- Total Pressure (countersunk into the block)
- △ Water Pressure (countersunk into the block)
- Relative Humidity (countersunk into the block)

A2 28

Sensors:

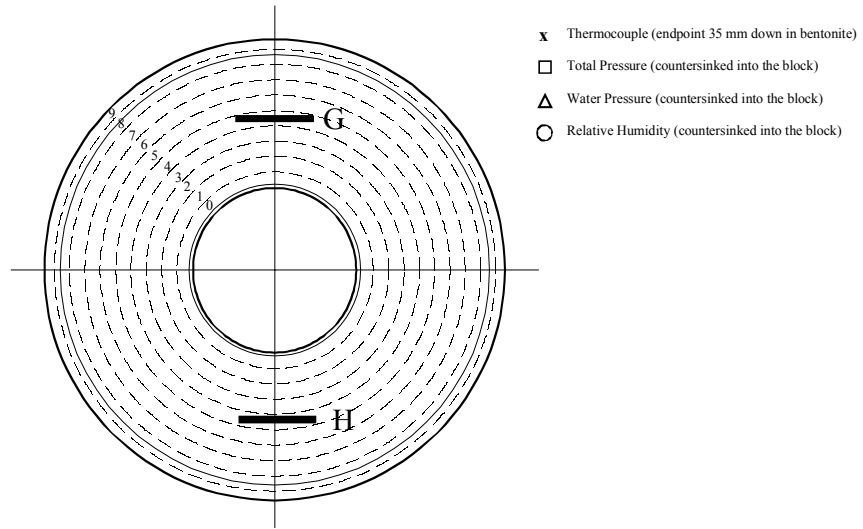
Gas test



A2 30

Sensors:

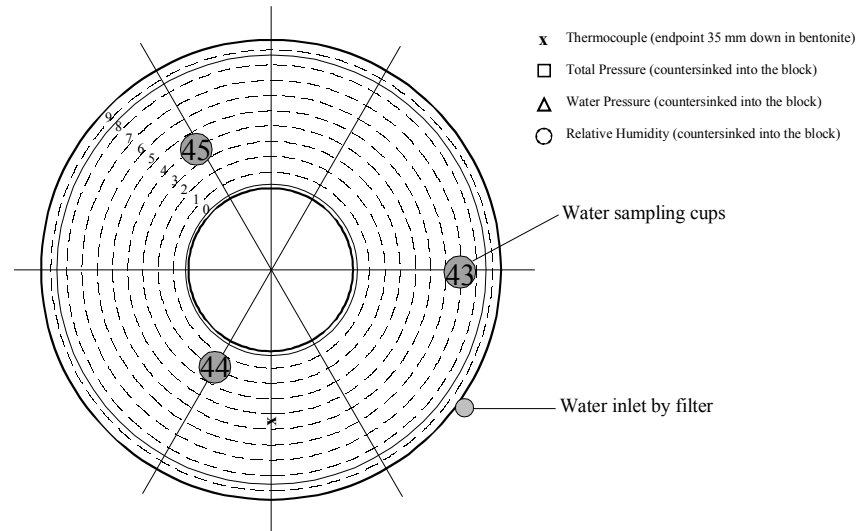
Cu plate



A2 32

Sensors:

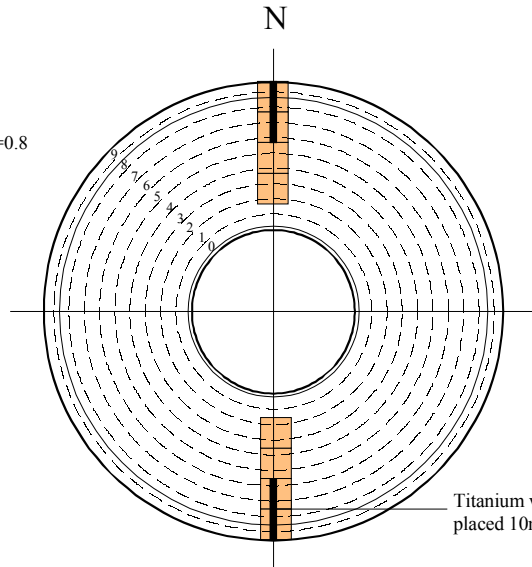
A2324T
Water sampling



A2 34

Sensors:

Cement Aalborg AWP w/c=0.8



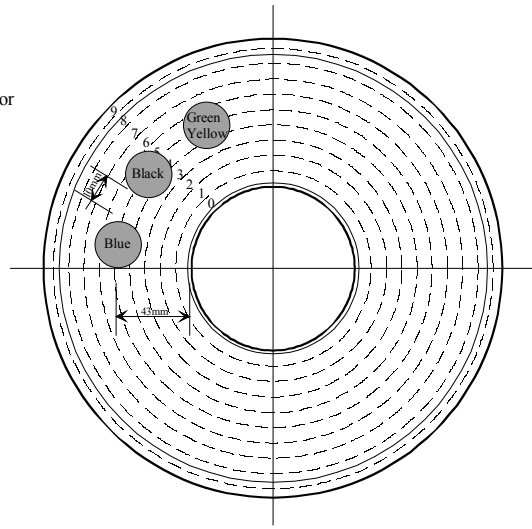
- x Thermocouple (endpoint 35 mm down in bentonite)
- Total Pressure (countersunk into the block)
- △ Water Pressure (countersunk into the block)
- Relative Humidity (countersunk into the block)

Titanium wire ø4mm, L=40mm
placed 10mm above the plugs

A2 36

Sensors:

Electro chemical noise sensor
Copper rods
ø=29.7mm
L=90.0mm

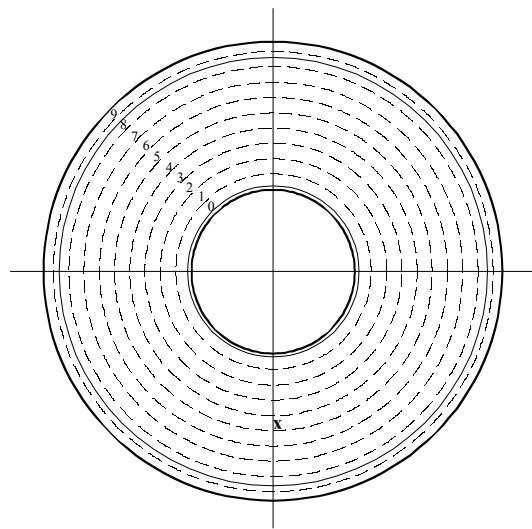


- x Thermocouple (endpoint 35 mm down in bentonite)
- Total Pressure (countersunk into the block)
- △ Water Pressure (countersunk into the block)
- Relative Humidity (countersunk into the block)

A2 38

Sensors:

A2384T



- x Thermocouple (endpoint 35 mm down in bentonite)
- Total Pressure (countersunk into the block)
- △ Water Pressure (countersunk into the block)
- Relative Humidity (countersunk into the block)

Channel configuration for parcel A2.

CHANNEL	TAG		DESCRIPTION	UNITS
DS145	A2020T	BICC	thermocouple	°C
DS146	A2024T	BICC	thermocouple	°C
DS147	A2028T	BICC	thermocouple	°C
DS148	A2080T	BICC	thermocouple	°C
DS149	A2082T	BICC	thermocouple	°C
DS150	A2084T	BICC	thermocouple	°C
DS151	A2086T	BICC	thermocouple	°C
DS152	A2088T	BICC	thermocouple	°C
DS153	A214TT	BICC	thermocouple	°C
DS154	A2140T	BICC	thermocouple	°C
DS155	A2142T	BICC	thermocouple	°C
DS156	A2144T	BICC	thermocouple	°C
DS157	A2146T	BICC	thermocouple	°C
DS158	A2148T	BICC	thermocouple	°C
DS159	A2200T	BICC	thermocouple	°C
DS160	A2202T	BICC	thermocouple	°C
DS161	A2204T	BICC	thermocouple	°C
DS162	A2206T	BICC	thermocouple	°C
DS163	A2208T	BICC	thermocouple	°C
DS164	A2260T	BICC	thermocouple	°C
DS165	A2264T	BICC	thermocouple	°C
DS166	A2268T	BICC	thermocouple	°C
DS167	A2324T	BICC	thermocouple	°C
DS168	A2384T	BICC	thermocouple	°C
DS170	A2084M	Vaisala	moisture gauge	%
DS171	A2084MT	Vaisala	Pt 100	°C
DS172	A2142M	Vaisala	moisture gauge	%
DS173	A2142MT	Vaisala	Pt 100	°C
DS174	A2147M	Vaisala	moisture gauge	%
DS175	A2147MT	Vaisala	Pt 100	°C
DS176	A2204M	Vaisala	moisture gauge	%
DS177	A2204MT	Vaisala	Pt 100	°C
DS178	Eff		A2	W
DS179	A2TUBE1	Druck	pressure	kPa
DS180	A2TUBE2	Druck	pressure	kPa
DS181	A2TUBE3	Druck	pressure	kPa
DS182	A2TUBE4	Druck	pressure	kPa
DS183	flow		flow	l/minM
CS11	A2144W (50232)	Geokon	vibrating wire	MPa
CS12	A2144P (50233)	Geokon	vibrating wire	MPa
13		Roctest	optical	
14		Roctest	optical	
15		Roctest	optical	
16		Roctest	optical	